

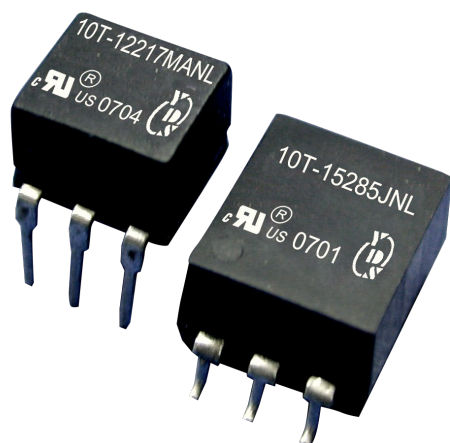
Test Conditions:

- Recognized by UL 60950-1
- Inductance -----100KHz/20mV
- Leakage Inductance -----100KHz/0.2V
- Interwinding Capacitance --100KHz/0.2V

YUAN DEAN SCIENTIFIC



General Purpose
Transformers
10T SERIES
500mW Pulse



Electrical Specifications@20°C-Operating Temperature 0°C to 70°C

Part Number	Turns Ratio (±5%)	Primary Sine Wave OCL (mH MIN)	Primary ET-Constant (V-μsec) MIN	Rise Time (nsec) MAX	PRI/SEC Cww (pF MAX)	Leakage Inductance PRI/SEC (μH MAX)	DCR Primary (Ω MAX)	DCR Secondary (Ω MAX)	DCR Tertiary (Ω MAX)	HI POT Vrms
10T-50211ANL	1:1:1	5.0	25.0	10.5	70	1.3	3.9	3.9	3.9	500
10T-20211ANL	1:1:1	2.0	16.0	8.2	37	0.8	2.5	2.5	2.5	500
10T-85012DNL	1:1:1 dual	.085	2.5	3.0	9.5	0.2	0.20	-	-	500
10T-50221ANL	1:1:1	5.0	25.0	10.5	60	1.3	3.9	3.9	3.9	500
10T-20221ANL	1:1:1	2.0	16.0	11.0	19	1.8	2.5	1.4	1.4	500

www.yds.com.tw



TEL : 886-6-3842899

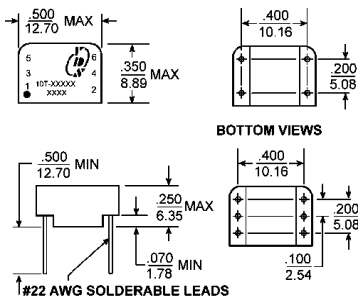
FAX : 886-6-3843288

E-MAIL: ydsweb@yds.com.tw

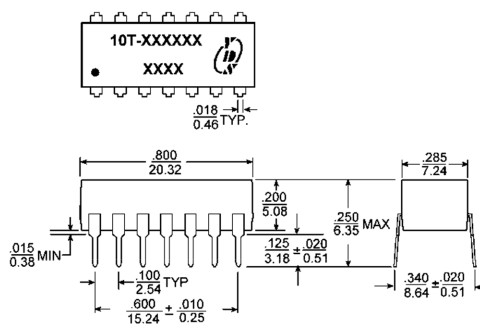
Rev: 1 2018/11/13

Mechanicals and Dimensions

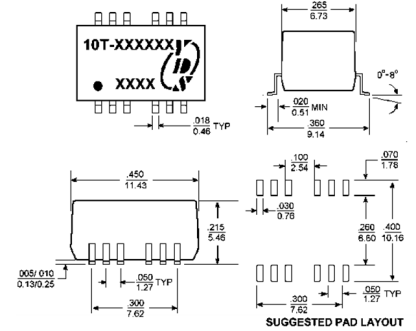
1



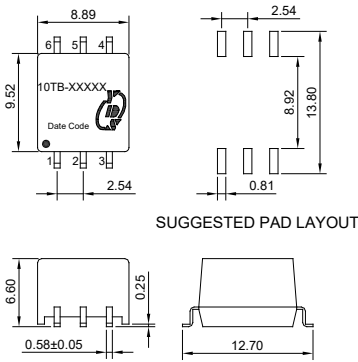
2



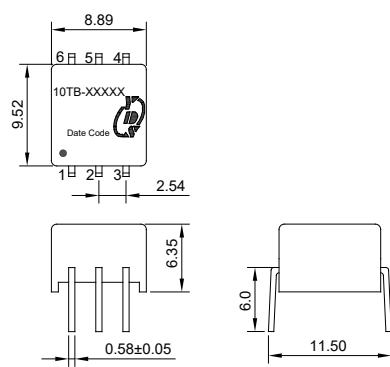
4



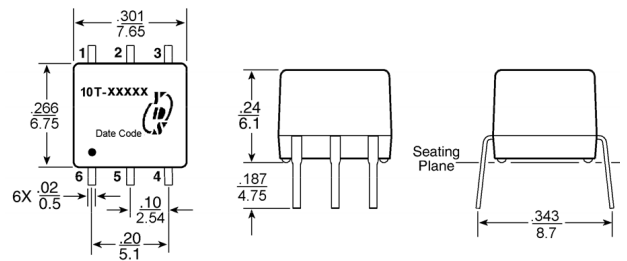
5



6



7



Schematics

