

**FEATURES :**

- 9W SIP8 Package
- 4:1 Wide Input Voltages Range
- High Efficiency up to 89%
- Customized Solutions Available
- Remote Control: On/Off
- Operating Temperature: -40°C to +75°C
- UL94V-0 Package Material
- EMC Standard of EMI EN55032:2012+AC:2013 (Class B) Approved
- EMC Standard of EMS EN55024:2010 Approved
- 3 Years Warranty

Specifications typical at TA=25°C, nominal input voltage and rated output current unless otherwise specified

Part Number	Input Voltage Range	Input Current (mA TYP)		Output Voltage Range	Output Current	Efficiency
	Vdc	No Load	Full Load	Vdc	mA	%TYP
27DW-24S03R9W	9-36	7	335	3.3	2000	82
27DW-24S05R9W	9-36	7	392	5	1600	85
27DW-24S12R9W	9-36	7	426	12	750	88
27DW-24S15R9W	9-36	7	426	15	600	88
27DW-24S24R9W	9-36	7	421	24	375	89
27DW-48S03R9W	18-75	7	168	3.3	2000	82
27DW-48S05R9W	18-75	7	196	5	1600	85
27DW-48S12R9W	18-75	7	213	12	750	88
27DW-48S15R9W	18-75	7	213	15	600	88
27DW-48S24R9W	18-75	7	211	24	375	89
27DW-24D05R9W	9-36	7	388	±5	±800	86
27DW-24D12R9W	9-36	7	426	±12	±375	88
27DW-24D15R9W	9-36	7	426	±15	±300	88
27DW-48D05R9W	18-75	7	196	±5	±800	85
27DW-48D12R9W	18-75	7	213	±12	±375	88
27DW-48D15R9W	18-75	7	216	±15	±300	87

**Input Specifications**

Parameters	Conditions	Min	Typ	Max	Units
Voltage Types	Vo, Io Nom			4:1	
Filter	Capacitor				

YUAN DEAN SCIENTIFIC



DC-DC Converter

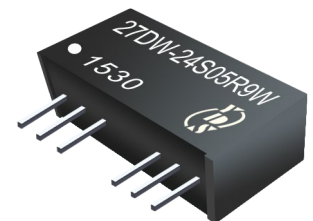
27DW-9W SERIES

9Watt 1.6KV Isolated

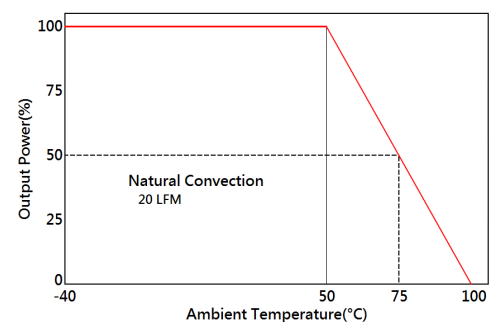
4 : 1 Input Voltage Range

Single & Dual Output

SIP8



Temperature Derating Graph



www.yds.com.tw



TEL : 886-6-3842899 FAX : 886-6-3843288  
E-MAIL : ydsweb@yds.com.tw

Rev:1.1 2023/03/16

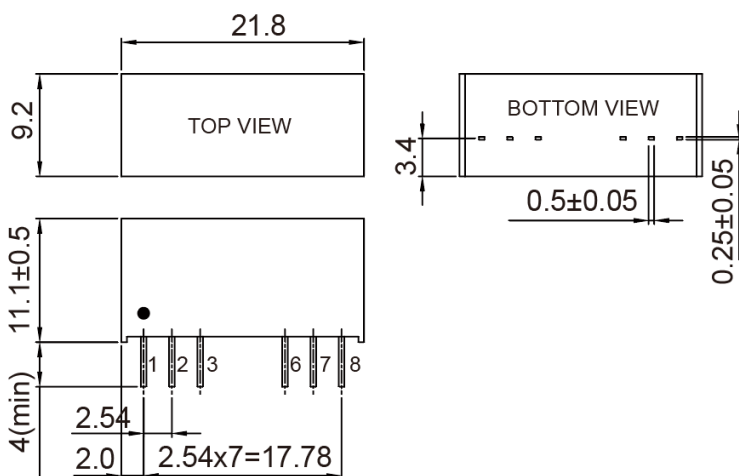
**Output Specifications**

Parameters	Conditions	Min	Typ	Max	Units
<b>Voltage Tolerance</b>	100% full load			±2	%
<b>Short Circuit Protection</b>	Continuous, Auto-Recovery				
<b>Line Regulation</b>		-0.5		+0.5	%
<b>Load Regulation</b>	Single output models Dual output models (Balance Load)	-0.5 -1.0		+0.5 +1.0	%
<b>Ripple &amp; Noise</b>	Output:3-10V TYPES BW=DC To 20MHz			100	mVp-p
	Output > 10V TYPES BW=DC To 20MHz			1% of Vout	mVp-p
<b>Transient response setting time</b>	25% load step change		250		us

**General Specifications**

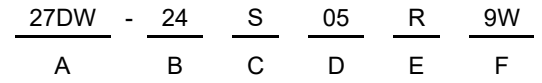
Parameters	Conditions	Min	Typ	Max	Units
<b>Isolation Voltage</b>			1600		Vdc
<b>Isolation Resistance</b>	500Vdc	1000			MΩ
<b>Switching Frequency (Full load, nominal input)</b>	Single		400		KHz
	Dual		500		
<b>Operating Temperature</b>	With derating	-40		75	°C
<b>Storage Temperature</b>		-55		125	°C
<b>Humidity</b>	Non Condensing			95	%
<b>Cooling</b>	Natural Convection (20LFM)				
<b>Case material</b>	Plastic				
<b>MTBF</b>	MIL-HDBK-217F@25°C	2.696x10 <sup>6</sup>			Hours
<b>Weight</b>			4.8		g
<b>Dimensions</b>		21.8X9.2X11.1			mm

**Dimensions**



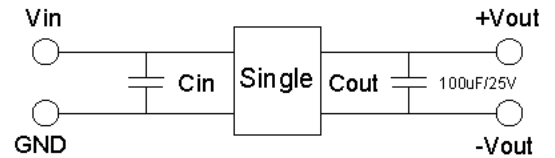
UNIT : mm tolerances are XX.X± 0.5 ,XX.XX±0.25

**Part Number**

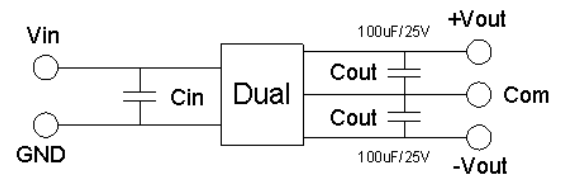


- A : Series
- B : Input Voltage
- C : Single(S);Dual(D)
- D : Output Voltage
- E : Regulated(R)
- F : Watt

**Recommended Test Circuit**



24V&48V: Cin 10uF,100V



24V & 48V : Cin 10uF,100V

**PIN Assignment**

Pin	1	2	3	6	7	8
<b>Single</b>	-Vin	+Vin	Remote ON/OFF	+Vout	-Vout	NC
<b>Dual</b>	-Vin	+Vin	Remote ON/OFF	+Vout	Com	-Vout