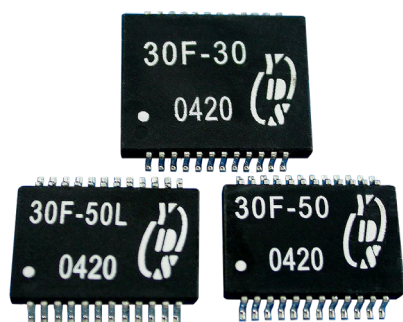


FEATURES:

- Designed for long haul Gigabit Ethernet 100/1000 Base-T, full duplex applications
- Supports 4 pairs of category 5 UTP cable
- Recognized By UL 60950-1
- Cable interface for isolation and low common mode emissions
- Meets all IEEE 802.3 and ANSI X3.236 standards including 350uH OCL with 8mA bias



YUAN DEAN SCIENTIFIC



LAN Filters

30F-3X/5X SERIES

10/100/1000 Base-T

PC Card

LAN Magnetics Modules

24PIN PCMCIA



Electrical Specifications@25°C-Operating Temperature 0°C to 70°C

Part Number	Insertion Loss (dB MAX)	Return Loss (dB min @100 Ω)					Differential to Common Mode (dB min)			Cross talk (dB min)			Hipot (V _{rms} min)
		1-100 MHz	1-30 MHz	40 MHz	50 MHz	60-80 MHz	100 MHz	30 MHz	60 MHz	100 MHz	30 MHz	60 MHz	
30F-30NL	-1.0	-18	-14.4	-13.1	-12	-10	-43	-37	-33	-45	-40	-35	1500
30F-50NL	-1.0	-18	-14.4	-13.1	-12	-10	-43	-37	-33	-45	-40	-35	1500
30F-51NL	-1.0	-18	-14.4	-13.1	-12	-10	-43	-37	-33	-45	-40	-35	1500

www.yds.com.tw



TEL : 886-6-3842899

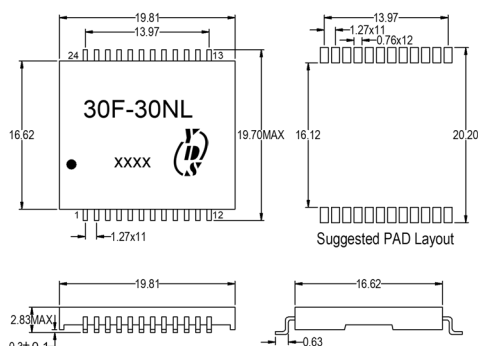
FAX : 886-6-3843288

E-MAIL: ydsweb@yds.com.tw

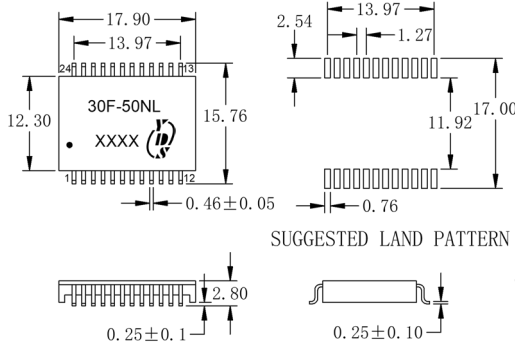
Rev: 2 2019/01/14

Markings and Dimensions

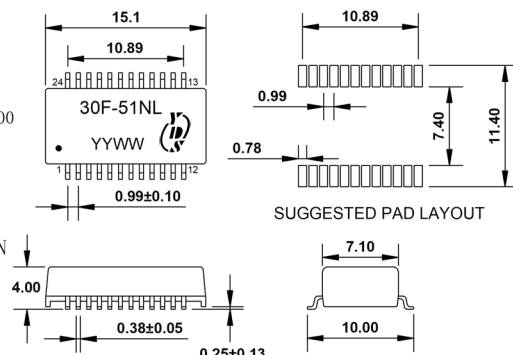
30F-30



30F-50



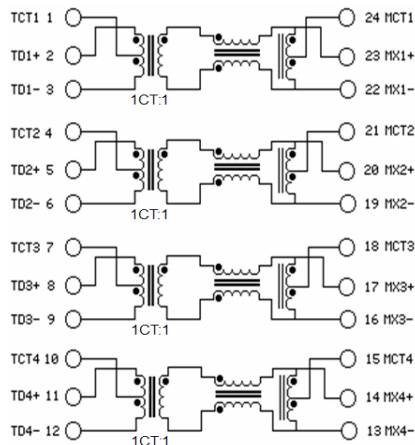
30F-51



Unit: mm Unless otherwise specified, all tolerances are ±0.25

Schematics

30F-30,30F-50



30F-51

