

FEATURES:

- Meet the pulse waveform template of CCITT I.430 when recommended transformer and chip pair is used
- Excellent longitudinal balance
- 2KVrms voltage isolation
- Recognized by UL 1950

TEST CONDITIONS:

- Inductance -----10KHZ/200mV
- Leakage Inductance -----100KHZ/1V
- Interwinding Capacitance --100KHZ/1V

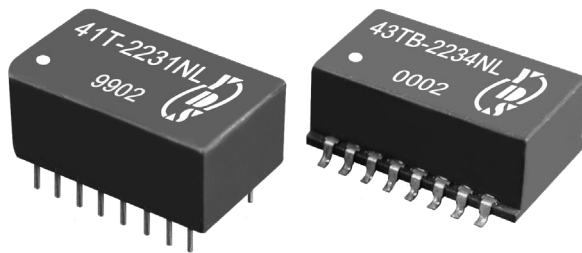
YUAN DEAN SCIENTIFIC



ISDN-S0 Interface
Transformers

41T/43TB SERIES

2KVrms Isolation
Surface Mount &
Through Hole



Electrical Specifications@25°C-Operating Temperature 0°C to 70°C

Part Number	Ratio (±2%)		OCL Pri. (mH min.)	LL Sec. (uH max.)		CW/W (pf max.)	CD Pri. (pf max.)		DCR Pri. (Ω±15%)		DCR Sec. (Ω±15%)		ΔIdc (mA max.)
	A	B	A&B	A	B	A&B	A	B	A	B	A	B	
41T/43TB-2231NL	1:1	1:2	22	5	5	100	42	80	2.4	2.3	2.4	4.0	1
41T/43TB-2232NL	1:1	1:1	22	5	5	100	42	42	2.4	2.4	2.4	2.4	1
41T/43TB-2233NL	1:1.8	1:1.8	22	15	15	100	140	140	2.5	2.5	4.2	4.2	1
41T/43TB-2234NL	1:2	1:2	22	15	15	100	80	80	2.5	2.5	4.3	4.3	1
41T/43TB-2235NL	1:2.5	1:2.5	22	8-40	8-40	100	110	110	2.5	2.5	5.8	5.8	1
41T/43TB-2236NL	1:2	1:2	22	11	11	100	180	180	2.4	2.4	4.4	4.4	1

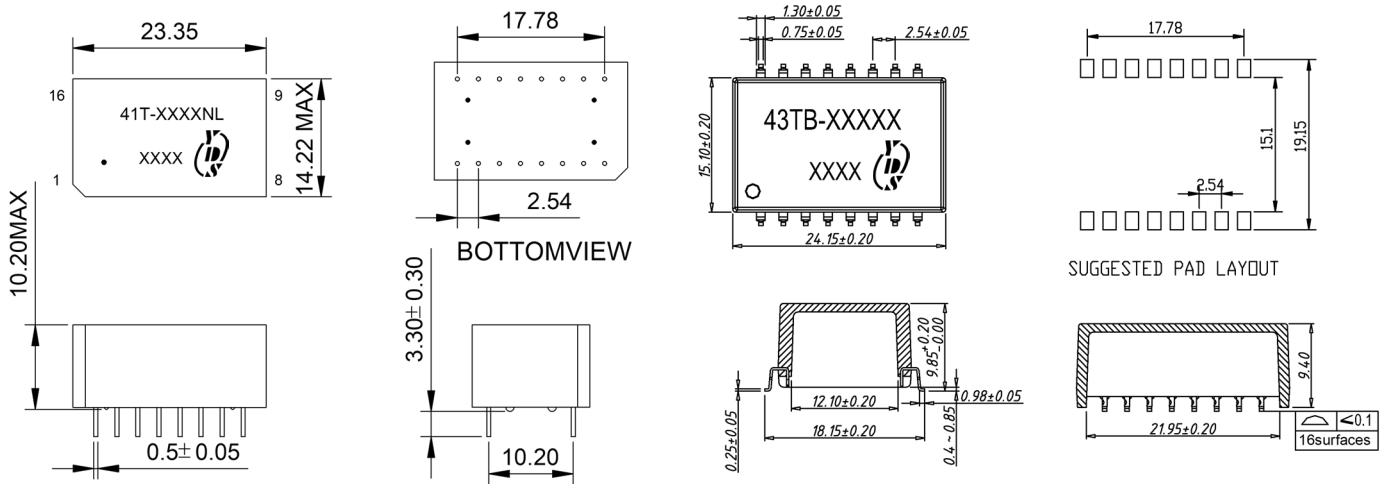


Part Number

41T/43TB	-	223	1	B	NL
A		B	C	D	E

- A : Series
- B : Inductance
- C : Sequence id
- D : Schematics
- E : RoHS Version

Mechanicals and Dimensions



Dimensions: inches/mm. Unless otherwise specified, all tolerances are $\pm 0.10/\pm 0.25$.

Schematics

