

FEATURES:

- 1X1 Tab-UP, 1" Long RJ45 with internal magnetics
- 12pin signal pin versions available
- Available with LEDs
- Suitable for CAT 5 & 6 Fast Ethernet Cable or better UTP
- Internal magnetics are 100% electrically tested for HI-POT and functionality

YUAN DEAN SCIENTIFIC



RJ45 Jack

56F(5G) SERIES

With Magnetics

5G Base-T

TAB Up

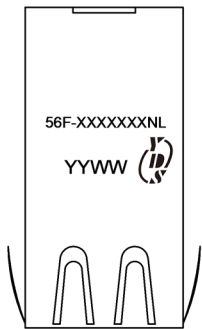


Electrical Specifications@25°C-Operating Temperature 0°C to 70°C

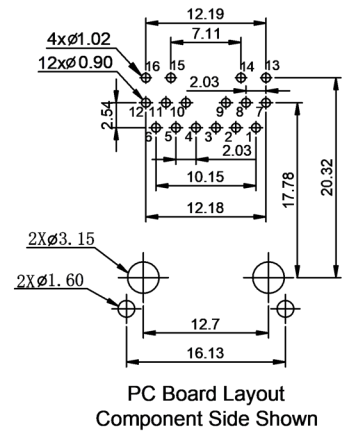
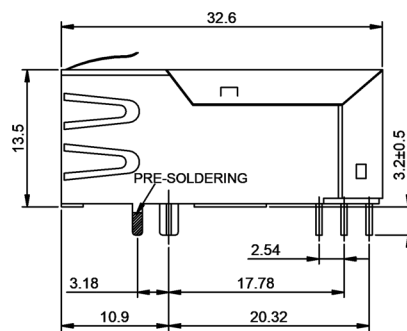
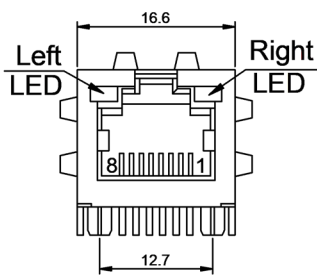
| Part Number | Turns Ratio (±3%) | LEDs | Insertion Loss (dB MAX) | | Return Loss (dB MIN) | | Crosstalk (dB TYP) | | CDMR (dB TYP) | CMR (dB TYP) | Hipot (VDC) |
|----------------|-------------------|------|-------------------------|-------------|----------------------|-----------------------------------|--------------------|-------------|---------------|--------------|-------------|
| | | | 1-125 MHz | 125-250 MHz | 1-40 MHz | 40-250 MHz | 1-125 MHz | 125-250 MHz | | | |
| 56F-3001GYD2NL | 1CT:1CT | G/Y | -1.0 | -1.5 | -20 | -20+15log ₁₀ (f/40MHz) | -30 | -25 | -45+f/35 | -30 | 2250 |



Mechanical and Dimension



YY:Year WW:Week



UNIT: mm Unless otherwise specified, all tolerances are ±0.25

Schematics

