

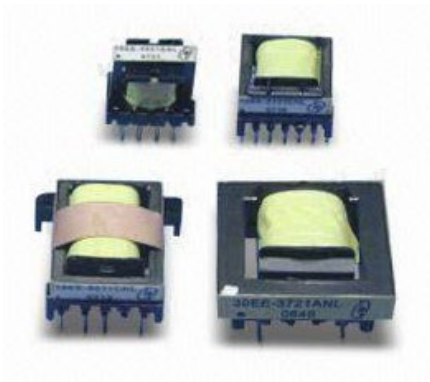
**FEATURES:**

- High Frequency Power Transformer
- High Frequency Switching Transformer
- Current Sensors
- Wide Variety of Other Sizes, and Values Available

**YUAN DEAN SCIENTIFIC**



**High Frequency  
Transformers  
EE SERIES**



**Part Number**

05	SEE	-	121	1	A	NL
A			B	C	D	E

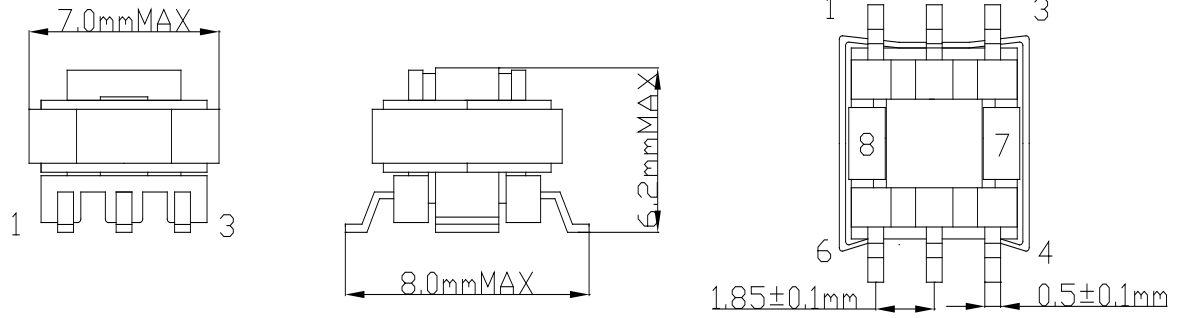
- A : Series S:SMD/NO S:DIP
- B : Inductance
- C : Sequence id
- D : Schematics
- E : RoHS Version



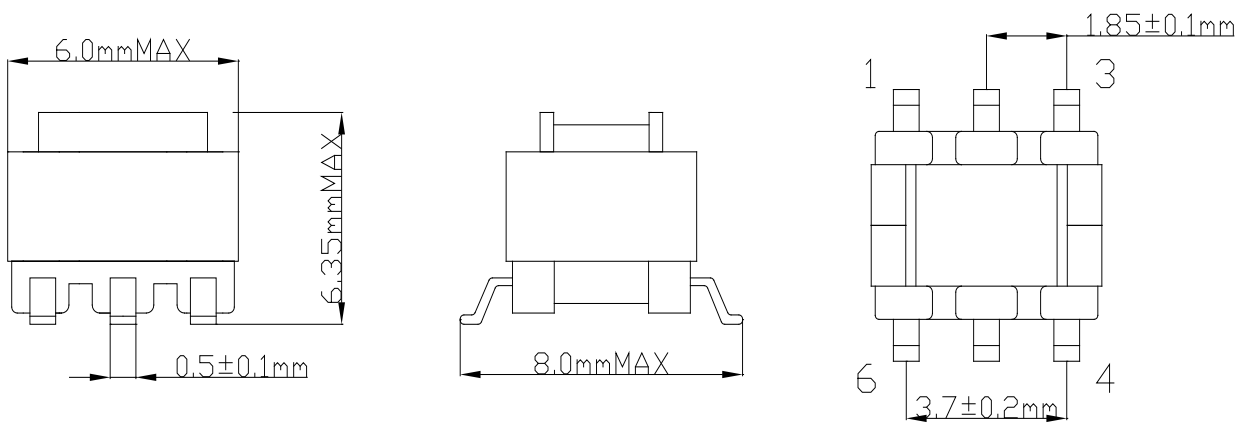
Mechanicals and Dimensions

05SEE

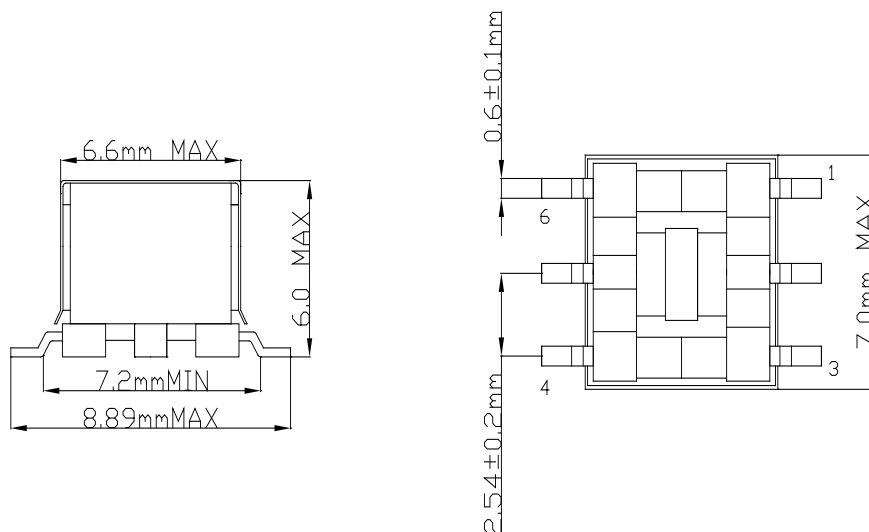
A



B

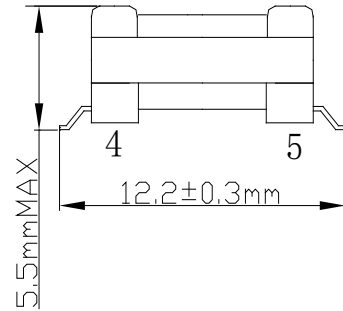
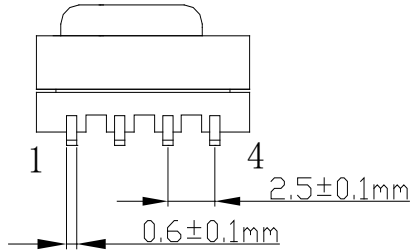
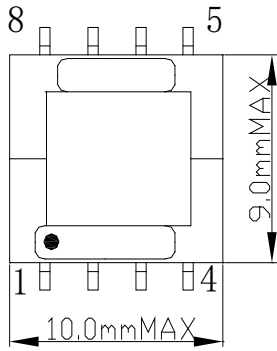


06SEE

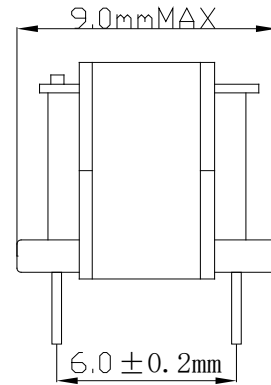
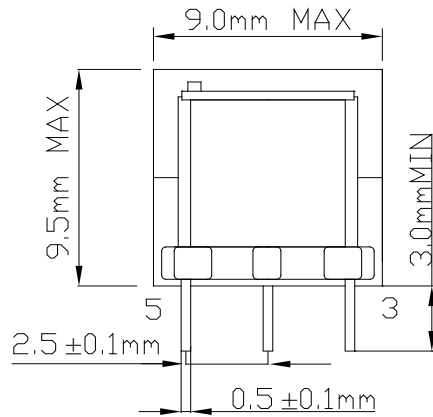
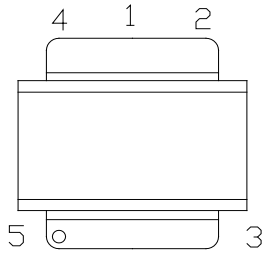


08SEE/08EE

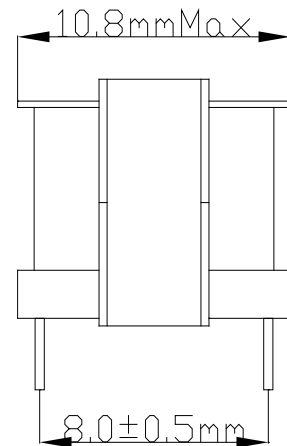
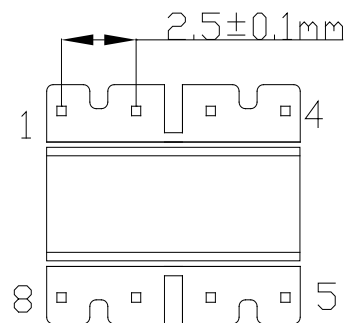
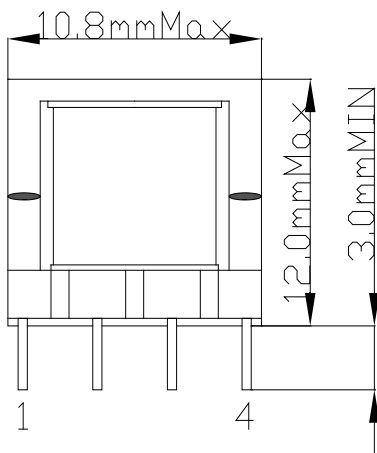
A



B

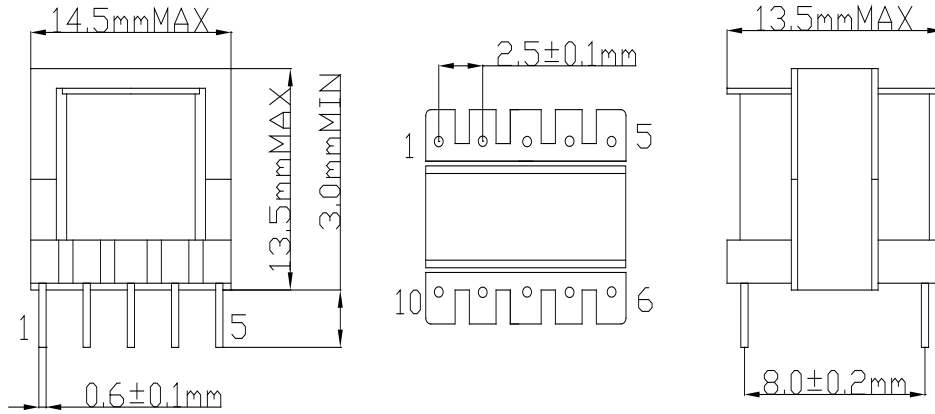


10EE

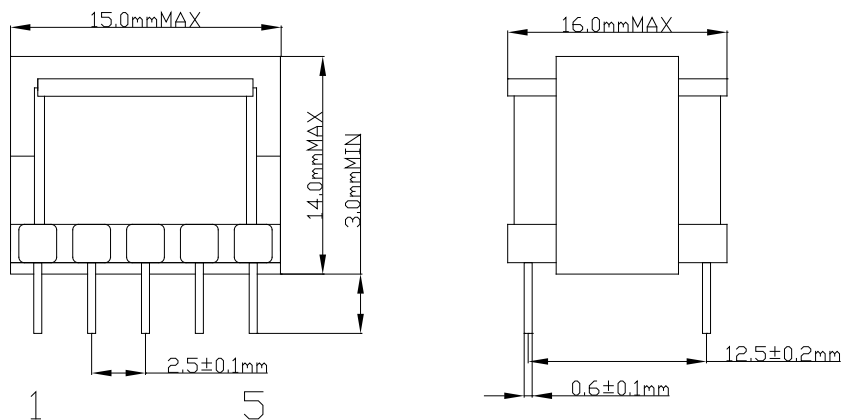


13EE

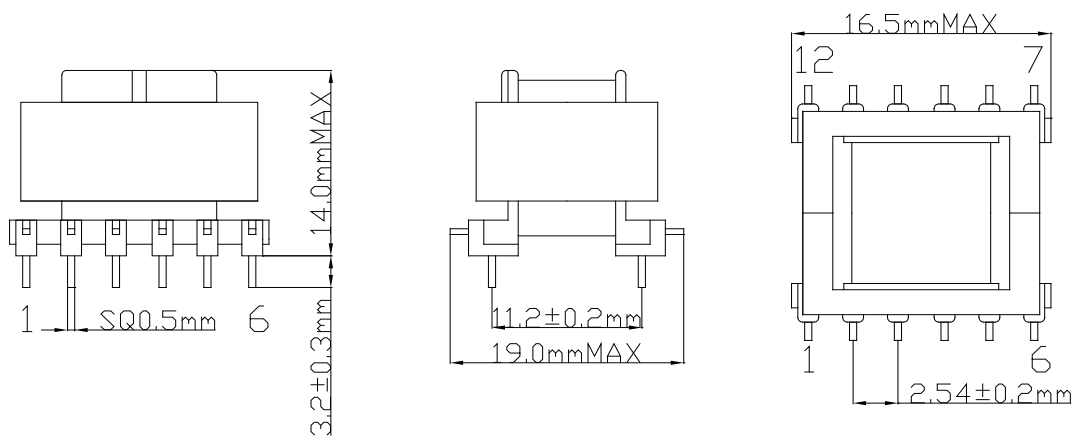
A



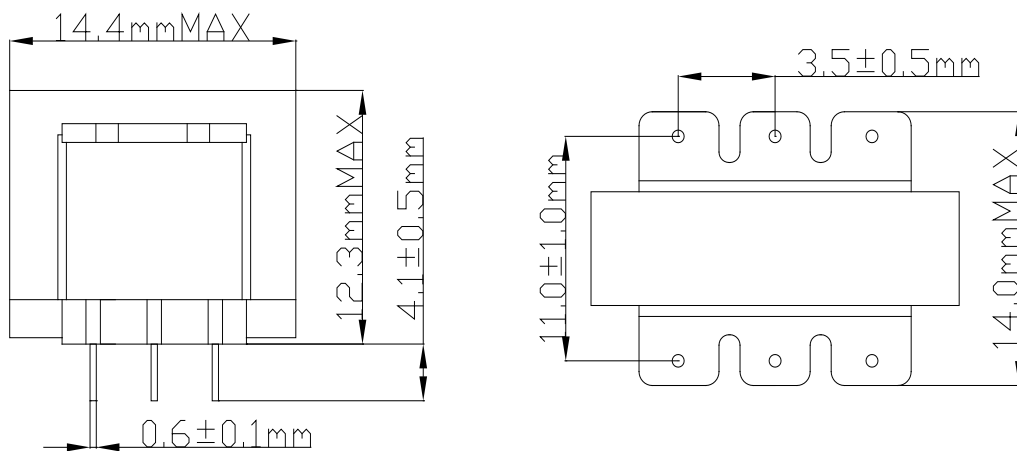
B



C

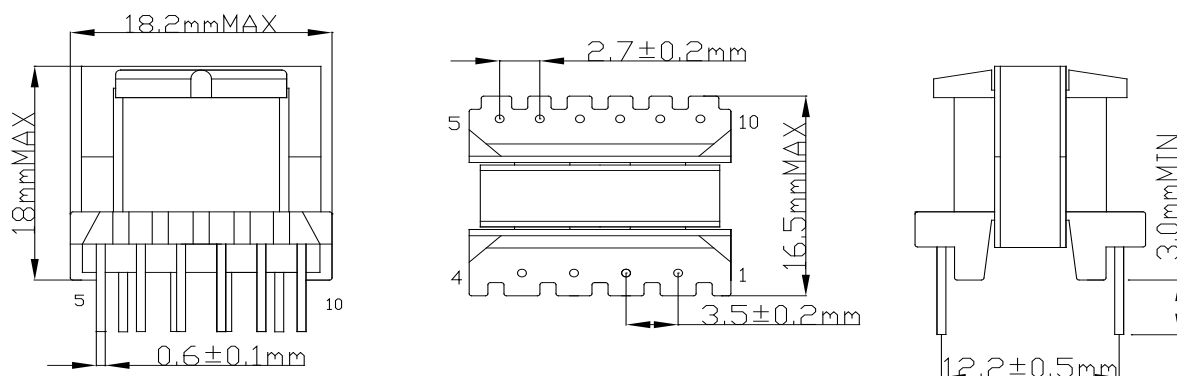


14EE

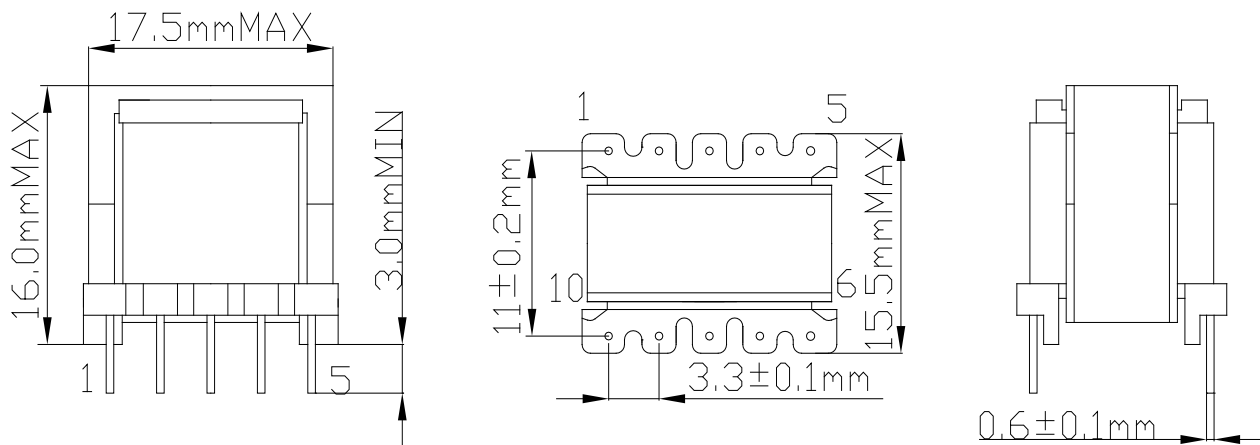


16EE

A

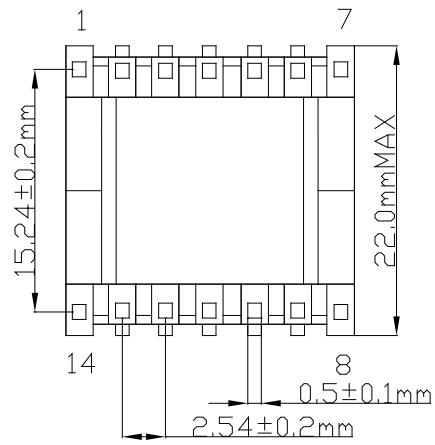
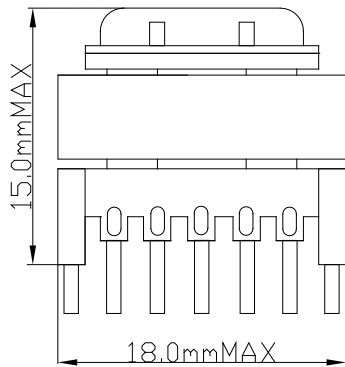


B

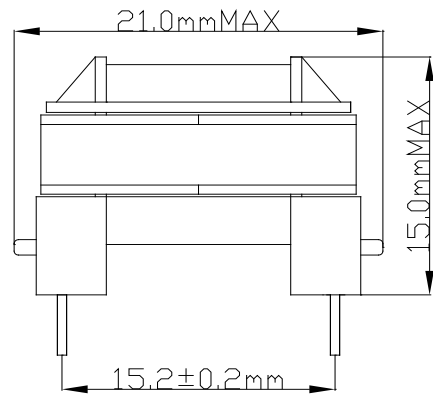
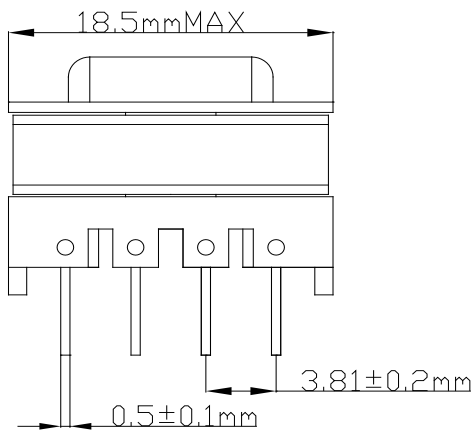


16EE

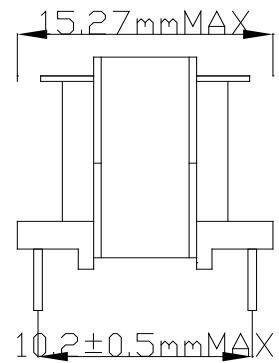
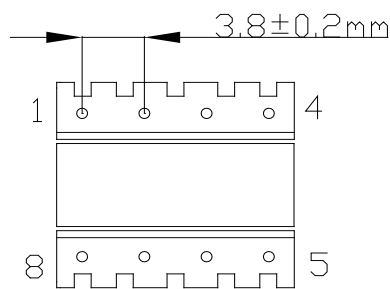
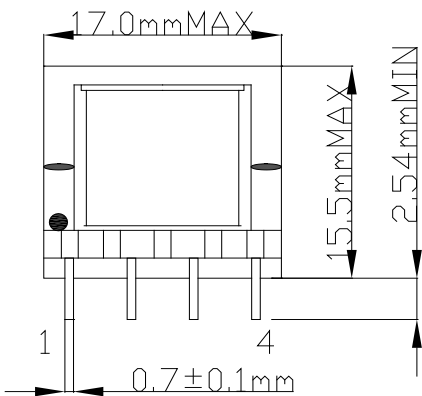
C



D

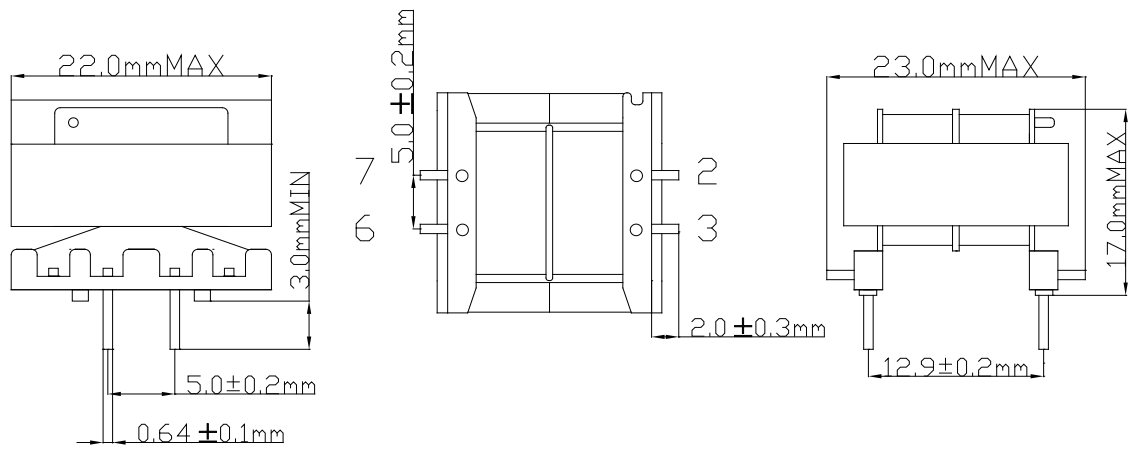


E

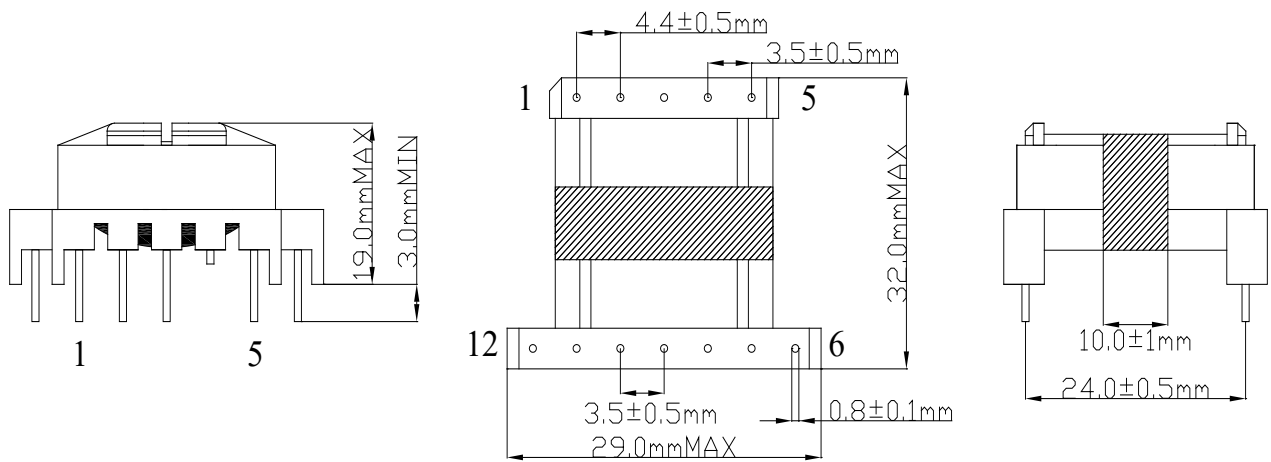


19EE

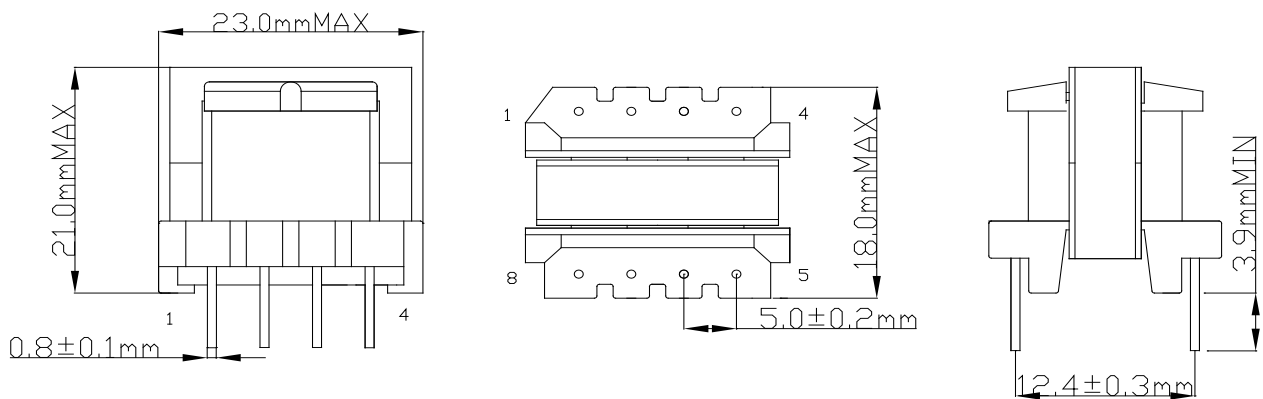
A



B

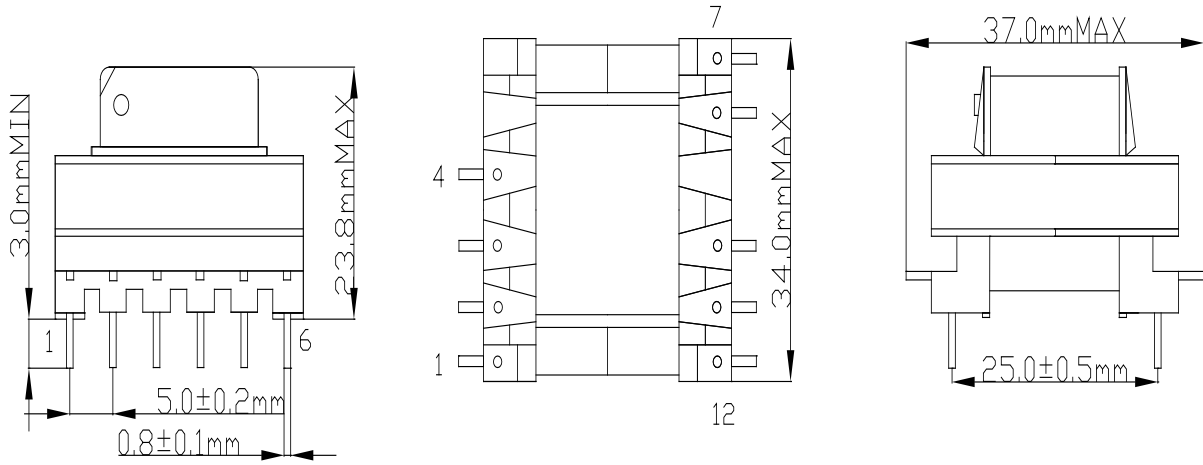


22EE



30EE

A



B

