

**FEATURES :**

- Universal Input 90~264VAC
- High Efficiency Up To 82%
- Protection: Short Circuit /Overload/Over Voltage
- Internal Input Filter
- 3 Years Warranty
- ROHS Compliant

Specifications typical at TA=25°C, nominal input voltage and rated output current unless otherwise specified

Part Number	Output Wattage	Output Voltage	Output Current	Ripple & Noise	Efficiency
	(W)	Vdc	mA	(mV) max(Note2)	%(TYP)
GX005-S03	4.0	3.3	1200	100	72
GX005-S05	5.0	5	1000	100	75
GX005-S06	5.1	6	850	100	75
GX005-S07	5.1	7	725	100	75
GX005-S08	5.0	8	625	100	75
GX005-S09	5.4	9	600	100	78
GX005-S10	6.0	10	600	100	78
GX005-S12	6.0	12	500	100	80
GX005-S13	6.0	13	460	150	80
GX005-S14	6.0	14	425	150	80
GX005-S15	6.0	15	400	150	80
GX005-S16	6.0	16	375	150	80
GX005-S18	6.0	18	333	200	81
GX005-S24	6.0	24	250	240	82
GX005-S27	6.0	27	220	240	82
GX005-S36	6.0	36	167	240	82
GX005-S48	6.0	48	125	240	82

**Notes :**

- 1."X" Represent module version  
 A: Represent module version with enclosure.  
 B: Represent open frame version without enclosure.  
 C: Represent wired module version with enclosure.
- 2.Ripple & noise is measured by using 20 MHz bandwidth, measured with a 47uf paralleled with a high-frequency 0.47uf capacitor across each output by full load.
3. Only GA005 series recognized by UL & CB.

**Input Specifications**

Parameters	Conditions	Min	Typ	Max	Units
Rated Input Voltage	Vo, Io nom		100-240		Vac
Voltage Range	Vo, Io nom	AC in	90	264	Vac
		DC in	120	370	Vdc
Line Frequency	Vi nom. Io nom	47	50/60	63	Hz
Inrush Current	Io nom	Vi:115VAC		10	A
		Vi:230VAC		20	A
Input Current (Full load)		110mA Max.(115Vac) 70mA Max.(230Vac)			
Input Fuse		VDE/UL/CCC FUSE 2.5A/250V (Slow blow).			

YUAN DEAN SCIENTIFIC



AC-DC Converter

GA/B/C005 SERIES

5Watt  
3KV Isolated  
Single Output  
Module

GA005



GB005



GC005



www.yds.com.tw



TEL : 886-6-3842899 FAX : 886-6-3843288  
E-MAIL : ydsweb@yds.com.tw

Rev:1 2019/06/26

**Output Specifications**

Parameters	Conditions	Min	Typ	Max	Units
Output Voltage Accuracy	Vi nom, lo nom	3.3V,5V Models		±3	%
		12...48V Models		±2	
Minimum load	Vi nom	0			%
Line regulation	lo nom, Vi min...Vi max		±1		%
Load regulation	Vi nom, lo min...lo nom		±2		%
Transient recovery time	Vi nom, lo nom =I←→0.5 lo nom		1000		us
Protection	Overload	Above 110% rated output power			
		<b>Protection type:</b> Recovers automatically after fault condition is removed			
	Short Circuit	Recovers automatically after fault condition is removed			
	Over Voltage	120%-150% rated output Voltage			<b>Protection type:</b> Zener diode clamp

**General Specifications**

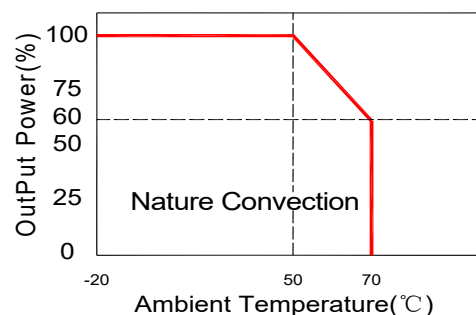
Parameters	Conditions	Min	Typ	Max	Units
Switching Frequency	Vi nom, lo nom		65		KHz
Isolation Voltage	Input / output		3.0kVac/ 5mA/5Secs		
Isolation Resistance	Input / output, @500Vdc	100			MΩ
Ambient Temperature	Operating at Vi nom, lo nom	-20		+70	°C
Derating	Vi nom, lo nom+51 to 71°C			2	%/°C
Storage Temperature	Nom operational	-40		+85	°C
Relative Humidity	Vi nom, lo nom			95	% RH
Dimension	GA005/GC005 L50.80 x W25.40 x H17.02, GB005 L48.5 x W23.0 x H16.0				mm
Cooling	Free air convection				

**Part Number**

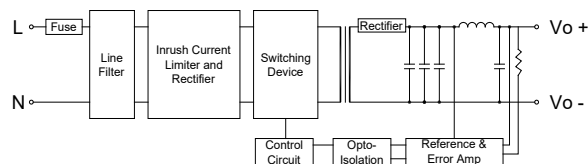
G X 005 - S 05  
A B C D E

- A: Series
- B: Package A,B,C
- C: Output Watt
- D: Single(S)
- E: Output Voltage

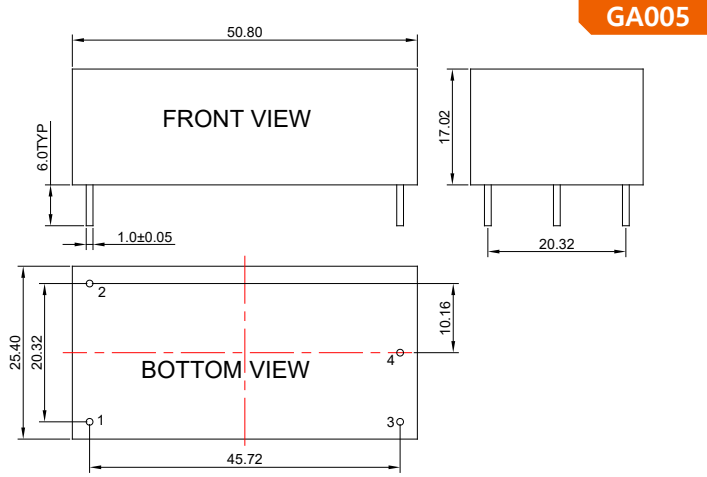
**Temperature Derating Graph**



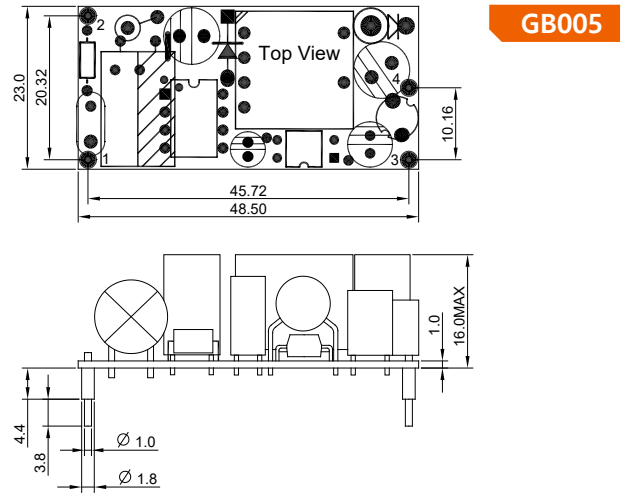
**Circuit Schematic**



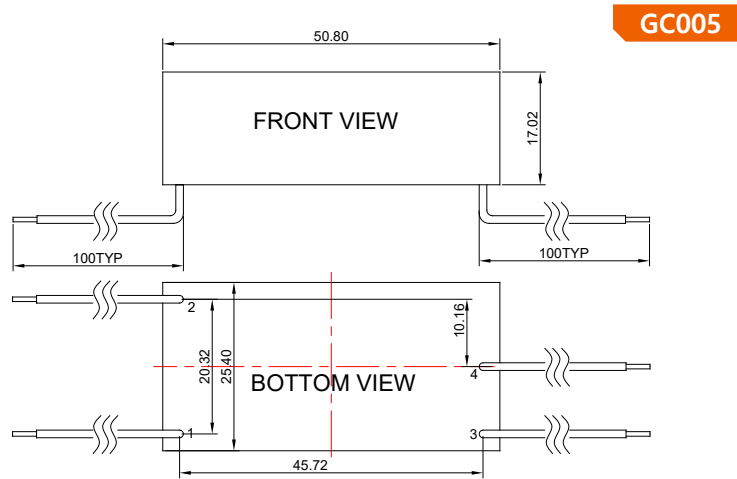
Markings and Dimensions



UNIT : mm Unless otherwise specified, all tolerances are ±0.50



UNIT : mm Unless otherwise specified, all tolerances are ±0.50



UNIT : mm Unless otherwise specified, all tolerances are ±0.50

PIN Connection

PIN	1	2	3	4
GA005/GB005	ACN	ACL	+Vo	-Vo
GC005	ACN (Black)	ACL(White)	+Vo(Red)	-Vo(Blue)